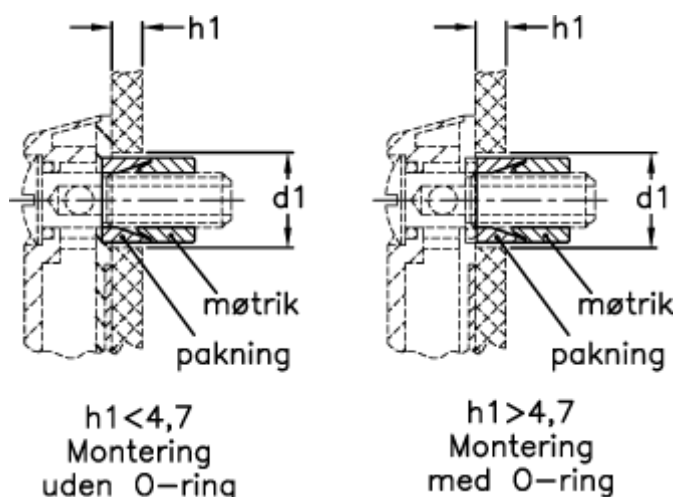


Article number: 2311031811

Description: E+G Fast mounting kit
for HCX.127M12

Measures



$d1 +0.1 0$ = 17.5

Max tightening torque (Nm) = 7

With O-ring $h1$ max = 6.3

With O-ring $h1$ min = 4.7

Without O-ring $h1$ max = 4.7

Without O-ring $h1$ min = 1.5